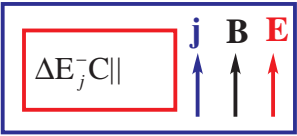
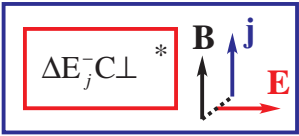
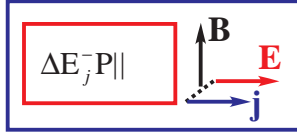
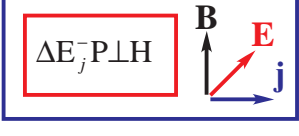
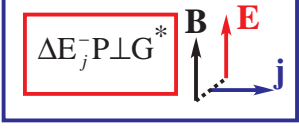
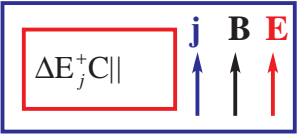
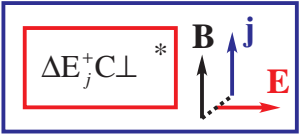
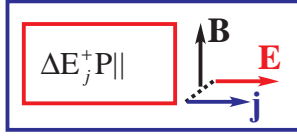
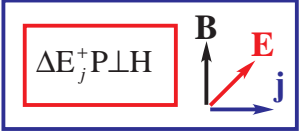
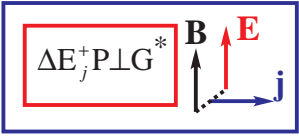


Table 1.12.

Voltaic galvanomagnetic odd effects		
Type of effect	Longitudinal $E \parallel j$	Transverse $E \perp j$
C-type effects $j \parallel B$		
P-type effects $j \perp B$		
		
Voltaic galvanomagnetic even effects		
Type of effect	Longitudinal $E \parallel j$	Transverse $E \perp j$
C-type effects $j \parallel B$		
P-type effects $j \perp B$		
		

\* - does not exist in gyrotropic medium  
102